

FOXY R, YELLOW/BLUE, 2021

obj. č.: 010.21077



Doporučená cena

111.799 Kč

Technické specifikace

barva rámečku yellow/blue	vyráběné velikosti S 380mm / M 420mm / L 470mm / XL 510mm
hmotnost 14,8 Kg	rám Foxy 29 6061 Alloy Stealth Evo, hydroformed tubing, Zero Suspension System, 150mm travel, Forward Geometry, one piece Monoblock upper link, Boost 12x148mm rear axle, tapered head tube, 73mm BSA bottom bracket, dedicated 1x drivetrain design, telescopic seatpost internal routing, MAX capacity sealed bearings, ISCG 05
vidlice Fox 36 29 Float FIT GRIP EVOL Performance, 160mm, tapered steerer tube, Boost 15x110mm axle, offset 44mm. Settings: 3 positions with micro adjust compression, low-speed rebound, air preload	hlavové složení Onoff Saturn tapered for 1-1/8 to 1-1/2 head tube, ACB sealed bearings, top 41x30.2x7x45x45, bottom 51.9x40x8x45x45
přehazovačka Shimano XT M8100, SGS, Shadow+, 12s	řazení Shimano Deore M6100, Rapid Fire Plus, 12s
brzdové páčky Sram G2 RS, SwingLink, tool-free reach adjust	kliky Shimano XT M-8120 Boost, Hollowtech II, Q-factor 178mm, S/M size: 170mm, L/XL size: 175mm
středové složení Shimano Deore BB52 BSA, 68/73mm	řídítka Onoff Sulfur 1.0 double butted 6061 alloy, rise: 20mm, width: 780mm, 9 backsweep, 5° upsweep, 31.8mm barbore Onoff Twin, 1lock-on, 135mm
představec Onoff Sulfur FG 30mm 0, 6061 forged alloy, 31.8mm barbore	sedlovka Onoff Pija dropper internal, diameter 31.6mm, S size: 337x100mm, M size 387x125mm, L size: 425x150mm, XL size: 465x170mm

sedlo

SDG BEL-AIR 3.0, LPU foam, steel rails

náboj přední

DT 370, Boost 15x110mm, IS 6 bolts

náboj zadní

DT 370, Boost 12x148mm, 3 Pawl system, IS 6 bolts, MS freehub

řetěz

Shimano Deore M6100, 12s, Quick-link

kazeta

Shimano SLX M7100, 10-51T Hyperglide+, 12s

dráty

DT Champion, straightpull

ráfky

DT Swiss E1900 Spline 29, 30mm internal width, sleeved aluminum, tubeless ready, 28 spokes

pláště

Maxxis Minion DHF 29x2.5 WT, tubeless ready, 3C MAXX TERRA compound, EXO+ protection, 120TPI, folding bead

obj.c.

010.21077

tlumič

Fox Float DPX2 LV EVOL Performance, 205x62.5mm. Settings: compression 3 positions lever, low-speed rebound, air preload. Trunnion top mount, 22.2x10mm bottom bushings

přední brzda

Sram G2 RS, 4-piston caliper, Centerline 200mm IS 6 bolts one-piece rotor, steel-backed organic pads

zadní brzda

Sram G2 RS, 4-piston caliper, Centerline 180mm IS 6 bolts one-piece rotor, steel-backed organic pads

omotávka

Maxxis Aggressor 29x2.3, tubeless ready, dual compound, Exo protection, 60TPI, folding bead

nastavení tlumiče

Light compression, extralight rebound, air volume spacer 0.6

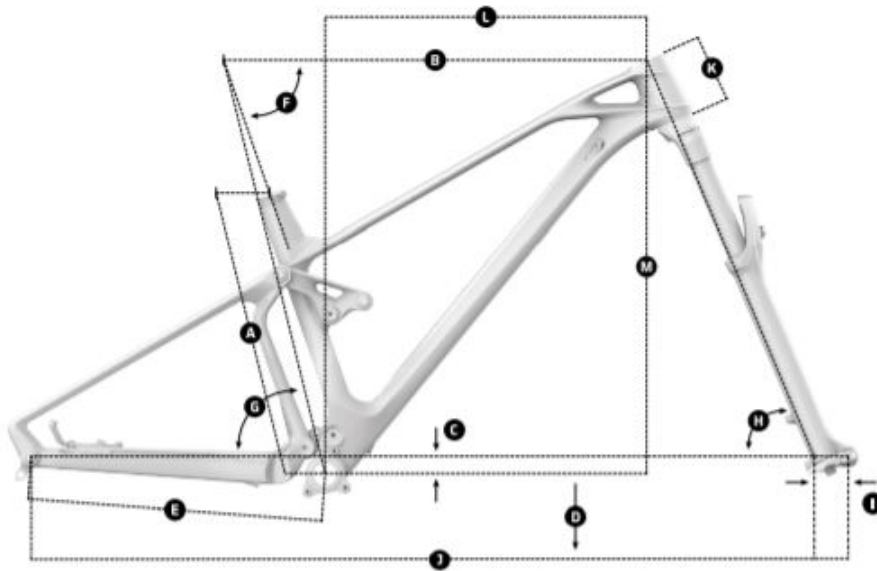
převodník

32T, CNC-machined alloy

patka k přehazovačce

Mondraker M068

Geometrie



GEOMETRY

Size	S	M	L	XL
A Seat Tube Length	380 mm	420 mm	470 mm	510 mm
B Top Tube Length	606 mm	629 mm	654 mm	678 mm
C Bottom Bracket Drop	-21 mm	-21 mm	-21 mm	-21 mm
D Bottom Bracket Height	352 mm	352 mm	352 mm	352 mm
E Chainstay Legth	435 mm	435 mm	435 mm	435 mm
F Seat Tube Angle, Actual	70.5°	70.5°	70.5°	70.5°
G Seat Tube Angle, Effective	75.5°	75.5°	75.5°	75.5°
H Head Tube Angle	66°	66°	66°	66°
I Fork Offset	44 mm	44 mm	44 mm	44 mm
J Wheelbase	1187 mm	1210 mm	1236 mm	1262 mm
K Head Tube Length	90 mm	100 mm	115 mm	130 mm
L Reach	450 mm	470 mm	490 mm	510 mm
M Stack	605 mm	614 mm	628 mm	642 mm