

FOXY CARBON R, BLUE/WHITE/ORANGE, 2021

obj. č.: 010.21081



Doporučená cena

135.199 Kč

Technické specifikace

barva rámečku
blue/white/orange

vyráběné velikosti
S 380mm / M 420mm / L 470mm / XL 510mm

hmotnost
14,5 Kg

rám
Foxy 29 Stealth Air full Carbon, Zero Suspension System, 150mm travel, Forward Geometry, aluminium CSC upper link with carbon bridge, Boost 12x148mm rear axle, tapered head tube, 73mm BSA bottom bracket, dedicated 1x drivetrain design, HHG internal cable routing, Enduro MAX sealed bearings, shock mudguard, ISCG 05, custom frame protectors. Optional Geometry kit: steering cups: +/- 1

vidlice
Fox 36 29 Float FIT GRIP EVOL Performance, 160mm, tapered steerer tube, Boost 15x110mm axle, offset 44mm. Settings: 3 positions with micro adjust compression, low-speed rebound, air preload

hlavové složení
Onoff Titan tapered for 1-1/8 to 1-1/2 head tube, ACB sealed bearings, top 41.8x30.5x8x45x45, bottom 51.9x40x8x45x45

přehazovačka
Sram Trigger NX Eagle, 12s, X-Actuation 1:1

řazení
Sram Trigger NX Eagle, 12s, X-Actuation 1:1

brzdové páčky
Sram G2 R, tool-free reach adjust

kliky
Sram NX Eagle, Boost, DUB axle, Direct mount chain ring, S/M size: 170mm, L/XL size: 175mm

středové složení
Sram DUB BSA, sealed bearings, 73mm

řídítka
Onoff Sulfur 1.0 double butted 6061 alloy, rise: 20mm, width: 780mm, 9 backsweep, 5 upsweep, 31.8mm barbore Onoff Desert, 1lock-on, 135mm, sizes: S/M L/XL

představec

Onoff Sulfur FG 30mm 0°, 6061 forged alloy, 31.8mm bar bore

sedlovka

Onoff Pija dropper internal, diameter 31.6mm, S size: 337x100mm, M size: 387x125mm, L size: 425x150mm, XL size: 465x170mm

sedlo

SDG BEL-AIR 3.0, LPU foam, steel rails

náboj přední

DT 370, Boost 15x110mm, IS 6 bolts

náboj zadní

DT 370, Boost 12x148mm, 3 Pawl system, IS 6 bolts

řetěz

Sram NX Eagle, 12s, Powerlock

kazeta

Sram XG-1230, 11-50T, 12s

dráty

DT Champion, straightpull

ráfky

DT Swiss E1900 Spline 29, 30mm internal width, sleeved aluminum, tubeless ready, 28 spokes

pláště

Maxxis Minion DHF 29x2.5 WT, tubeless ready, 3C MAXX TERRA compound, EXO+ protection, 120TPI, folding bead

obj.c.

010.21081

tlumič

Fox Float DPX2 LV EVOL Performance, 205x62.5mm. Settings: compression 3 positions lever, low-speed rebound, air preload. Trunion top mount, 22.2x10mm bottom bushings

přední brzda

Sram G2 R, 4-piston caliper, Centerline 200mm IS 6 bolts one-piece rotor, steel-backed organic pads

zadní brzda

Sram G2 R, 4-piston caliper, Centerline 180mm IS 6 bolts one-piece rotor, steel-backed organic pads

omotávka

Maxxis Aggressor 29x2.3, tubeless ready, dual compound, Exo protection, 60TPI, folding bead

nastavení tlumiče

Light compression, extralight rebound, air volume spacer 0.6

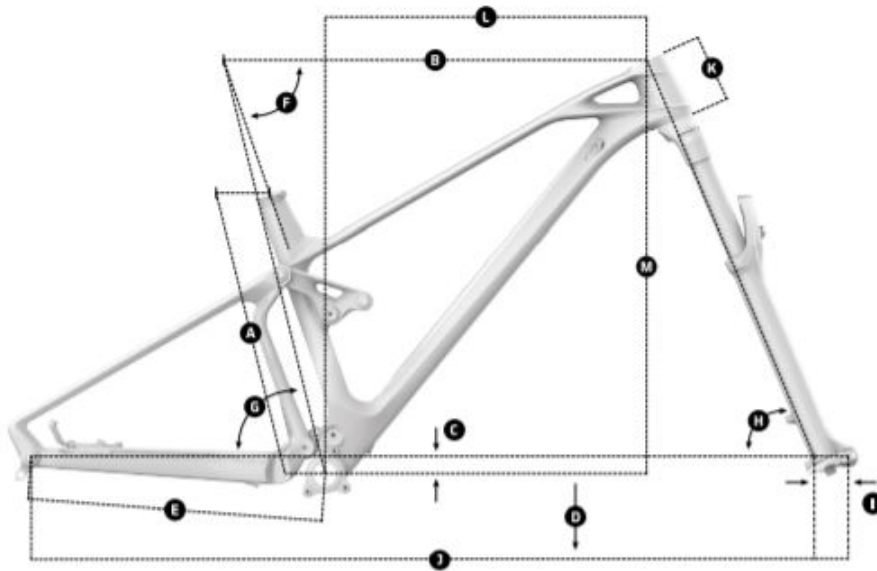
převodník

32T, steel, X-Sync 2

patka k přehazovačce

Mondraker M068

Geometrie



GEOMETRY

Size	S	M	L	XL
A Seat Tube Length	380 mm	420 mm	470 mm	510 mm
B Top Tube Length	606 mm	629 mm	654 mm	678 mm
C Bottom Bracket Drop	-21 mm	-21 mm	-21 mm	-21 mm
D Bottom Bracket Height	352 mm	352 mm	352 mm	352 mm
E Chainstay Legth	435 mm	435 mm	435 mm	435 mm
F Seat Tube Angle, Actual	70.5°	70.5°	70.5°	70.5°
G Seat Tube Angle, Effective	75.5°	75.5°	75.5°	75.5°
H Head Tube Angle	66°	66°	66°	66°
I Fork Offset	44 mm	44 mm	44 mm	44 mm
J Wheelbase	1187 mm	1210 mm	1236 mm	1262 mm
K Head Tube Length	90 mm	100 mm	115 mm	130 mm
L Reach	450 mm	470 mm	490 mm	510 mm
M Stack	605 mm	614 mm	628 mm	642 mm