

FOXY CARBON RR, CARBON/SILVER/RED, 2021

obj. č.: 010.21085



Technické specifikace

barva rámečku
carbon/silver/red

vyráběné velikosti
S 380mm / M 420mm / L 470mm / XL 510mm

hmotnost
13,8 Kg

rám
Foxy 29 Stealth Air full Carbon, Zero Suspension System, 150mm travel, Forward Geometry, aluminium CSC upper link with carbon bridge, Boost 12x148mm rear axle, tapered head tube, 73mm BSA bottom bracket, dedicated 1x drivetrain design, HHG internal cable routing, Enduro MAX sealed bearings, shock mudguard, ISCG 05, custom frame protectors. Optional Geometry kit: steering cups: +/- 1

vidlice
Öhlins RXF 36 M.2 29, 160mm, TTX18 Twin Tube cartridge, tapered steerer tube, Boost 15x110mm axle, offset 44mm. Settings: high speed compression lever with climb mode, low-speed compression, rebound, air preload, ramp chamber

hlavové složení
Onoff Titan tapered for 1-1/8 to 1-1/2 head tube, ACB sealed bearings, top 41.8x30.5x8x45x45, bottom 51.9x40x8x45x45

přehazovačka
Sram GX Eagle, Type 3 roller bearing clutch, cage lock, 1x12s, X-Actuation 1:1

řazení
Sram Trigger GX Eagle, 12s, X-Actuation 1:1

brzdové páčky
Sram G2 RS, SwingLink, tool-free reach adjust

kliky
Sram GX Eagle, Boost, DUB axle, Direct mount chain ring, S/M size: 170mm, L/XL size: 175mm

středové složení
Sram DUB BSA, sealed bearings, 73mm

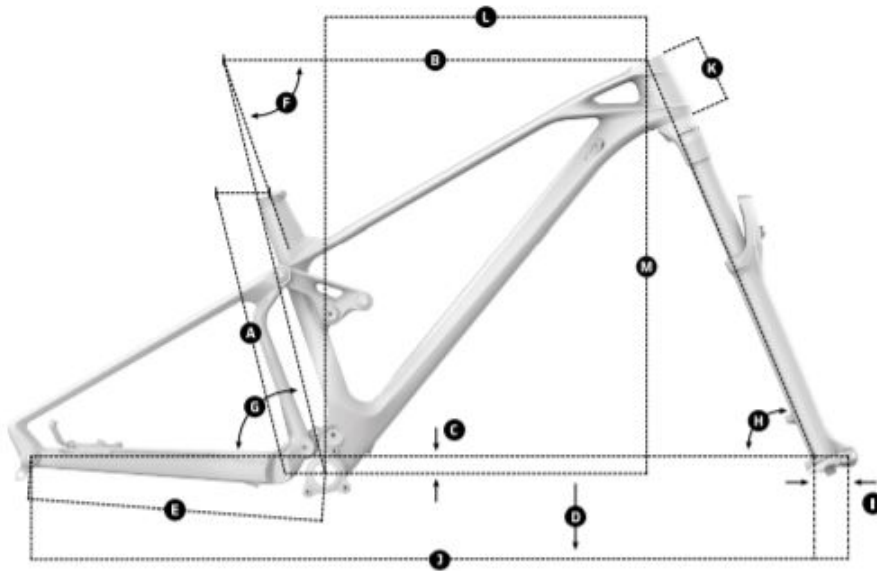
řídítka
Onoff Krypton Carbon 0.5, rise: 12,5mm, width: 780mm, 9 backsweep, 5 upsweep, 31,8mm barbare Onoff Desert, 1lock-on, 135mm, sizes: S/M L/XL

představec
Onoff Krypton FG 30mm, 6061 forged alloy, 31,8mm barbare

sedlovka
Onoff Pija dropper internal, diameter 31.6mm, S size: 337x100mm, M size 387x125mm, L size: 425x150mm, XL size: 465x170mm

sedlo SDG BEL-AIR 3.0, EVA foam, steel rails	náboj přední DT 350, Boost 15x110mm, IS 6 bolts
náboj zadní DT 350, Boost 12x148mm, 36T SL Ratchet system, IS 6 bolts, XD freehub	řetěz Sram NX Eagle, 12s, Powerlock
kazeta Sram XG-1275, 10-52T, 12s	dráty DT Competition, straightpull
ráfky DT Swiss EX1700 Spline 29, 30mm internal width, welded aluminum, tubeless ready, 28 spokes	pláště Maxxis Minion DHF 29x2.5 WT, tubeless ready, 3C MAXX TERRA compound, EXO+ protection, 120TPI, folding bead
obj.c. 010.21085	tlumič Öhlins TTX Air 205x62.5mm. Settings: high speed compression lever with climb mode, low-speed compression, rebound, air preload. Trunnion top mount, 22.2x10mm bottom bushings
přední brzda Sram G2 RS, 4-piston caliper, Centerline 200mm IS 6 bolts one-piece rotor, steel-backed organic pads	zadní brzda Sram G2 RS, 4-piston caliper, Centerline 180mm IS 6 bolts one-piece rotor, steel-backed organic pads
omotávka Maxxis Aggressor 29x2.3, tubeless ready, dual compound, Exo protection, 60TPI, folding bead	nastavení tlumiče C20 compression, R35 rebound
převodník 32T, CNC-machined alloy, X-SYNC 2	patka k přehazovačce Mondraker M068

Geometrie



GEOMETRY

Size	S	M	L	XL
A Seat Tube Length	380 mm	420 mm	470 mm	510 mm
B Top Tube Length	606 mm	629 mm	654 mm	678 mm
C Bottom Bracket Drop	-21 mm	-21 mm	-21 mm	-21 mm
D Bottom Bracket Height	352 mm	352 mm	352 mm	352 mm
E Chainstay Legth	435 mm	435 mm	435 mm	435 mm
F Seat Tube Angle, Actual	70.5°	70.5°	70.5°	70.5°
G Seat Tube Angle, Effective	75.5°	75.5°	75.5°	75.5°
H Head Tube Angle	66°	66°	66°	66°
I Fork Offset	44 mm	44 mm	44 mm	44 mm
J Wheelbase	1187 mm	1210 mm	1236 mm	1262 mm
K Head Tube Length	90 mm	100 mm	115 mm	130 mm
L Reach	450 mm	470 mm	490 mm	510 mm
M Stack	605 mm	614 mm	628 mm	642 mm