

# FOXY CARBON XR, CARBON/YELLOW, 2021

obj. č.: 010.21089



Doporučená cena

**220.999 Kč**

Akční cena

**220.999 Kč**

## Technické specifikace

**barva rámečku**  
carbon/yellow

**vyráběné velikosti**  
S 380mm / M 420mm / L 470mm / XL 510mm

**hmotnost**  
13,3 Kg

**rám**  
Foxy 29 Stealth Air full Carbon, Zero Suspension System, 150mm travel, Forward Geometry, aluminium CSC upper link with carbon bridge, Boost 12x148mm rear axle, tapered head tube, 73mm BSA bottom bracket, dedicated 1x drivetrain design, HHG internal cable routing, Enduro MAX sealed bearings, shock mudguard, ISCG 05, custom frame protectors. Geometry kit included: steering cups: +/- 1

**vidlice**  
Ůhlins RXF 36 M.2 29, 170mm, TTX18 Twin Tube cartridge, tapered steerer tube, Boost 15x110mm axle, offset 44mm. Settings: high speed compression lever with climb mode, low-speed compression, rebound, air preload, ramp chamber

**hlavové složení**  
Onoff Titan tapered for 1-1/8 to 1-1/2 head tube, ACB sealed bearings, top 41.8x30.5x8x45x45, bottom 51.9x40x8x45x45

**přehazovačka**  
Sram X01 Eagle, Type 3 roller bearing clutch, cage lock, 1x12s, X-Actuation 1:1

**řazení**  
Sram Trigger X01 Eagle, 12s, X-Actuation 1:1

**brzdové páčky**  
Sram G2 RSC, SwingLink and lever pivot bearings, tools-free reach and contact point adjust

**kliky**  
Sram X01 Carbon Eagle, Boost, DUB axle, Direct mount chain ring, S/M size: 170mm, L/XL size: 175mm

**středové složení**

Sram DUB BSA, sealed bearings, 73mm

**řídítka**

Onoff Krypton Carbon 0.5, rise: 12,5mm, width: 780mm, 9 backsweep, 5 upsweep, 31,8mm barbore Onoff Desert, 1lock-on, 135mm, sizes: S/M L/XL

**představec**

Onoff Krypton FG 30mm, 6061 forged alloy, 31,8mm barbore

**sedlovka**

Onoff Pija dropper internal, diameter 31.6mm, S size: 337x100mm, M size 387x125mm, L size: 425x150mm, XL size: 465x170mm

**sedlo**

SDG BEL-AIR 3.0, EVA foam, steel rails

**náboj přední**

DT 240, Boost 15x110mm, IS 6 bolts

**náboj zadní**

DT 240, Boost 12x148mm, 36T Ratchet EXP system, IS 6 bolts, XD freehub

**řetěz**

Sram GX Eagle, 12s, Powerlock

**kazeta**

Sram XG-1295, 10-52T, 12s

**dráty**

DT Competition, straightpull

**ráfky**

DT Swiss EXC1501 Carbon Spline 29, 30mm internal width, hookless, tubeless ready, 28 spokes

**pláště**

Maxxis Minion DHF 29x2.5 WT, tubeless ready, 3C MAXX TERRA compound, EXO+ protection, 120TPI, folding bead

**obj.c.**

010.21089

**tlumič**

Öhlins TTX Air 205x62.5mm. Settings: high speed compression lever with climb mode, low-speed compression, rebound, air preload. Trunion top mount, 22.2x10mm bottom bushings

**přední brzda**

Sram G2 RSC, 4-piston caliper, Centerline 200mm IS 6 bolts one-piece rotor, steel-backed organic pads

**zadní brzda**

Sram G2 RSC, 4-piston caliper, Centerline 180mm IS 6 bolts one-piece rotor, steel-backed organic pads

**plášť zadní**

Maxxis Minion DHR II 29x2.4 WT, tubeless ready, 3C MAXX TERRA compound, EXO+ protection, 120TPI, folding bead

**nastavení tlumiče**

C20 compression, R35 rebound

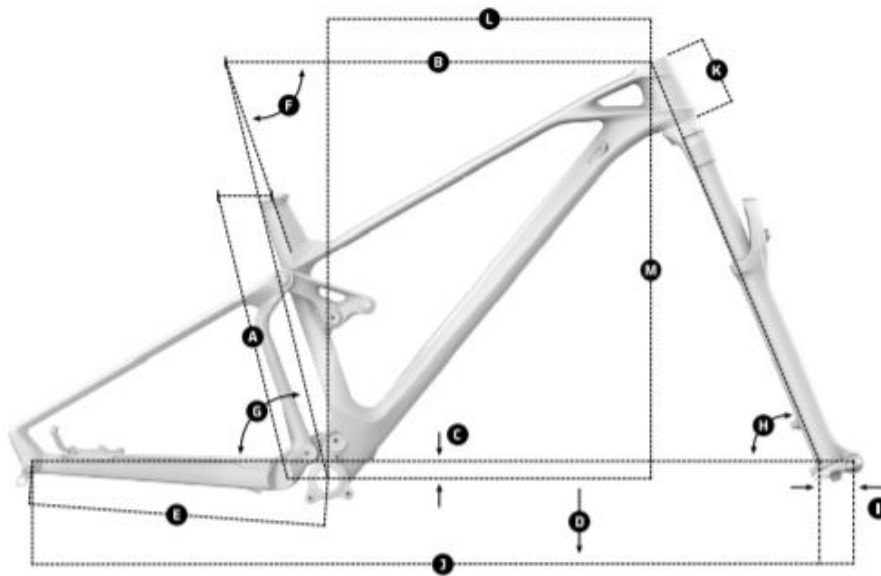
**převodník**

32T, CNC-machined alloy, X-SYNC 2

**patka k přehazovačce**

Mondraker M068

**Geometrie**



## GEOMETRY

| Size                                | S       | M       | L       | XL      |
|-------------------------------------|---------|---------|---------|---------|
| <b>A</b> Seat Tube Length           | 380 mm  | 420 mm  | 470 mm  | 510 mm  |
| <b>B</b> Top Tube Length            | 616 mm  | 639 mm  | 664 mm  | 688 mm  |
| <b>C</b> Bottom Bracket Drop        | -14 mm  | -14 mm  | -14 mm  | -14 mm  |
| <b>D</b> Bottom Bracket Height      | 360 mm  | 360 mm  | 360 mm  | 360 mm  |
| <b>E</b> Chainstay Legth            | 435 mm  | 435 mm  | 435 mm  | 435 mm  |
| <b>F</b> Seat Tube Angle, Actual    | 69.5°   | 69.5°   | 69.5°   | 69.5°   |
| <b>G</b> Seat Tube Angle, Effective | 74.5°   | 74.5°   | 74.5°   | 74.5°   |
| <b>H</b> Head Tube Angle            | 65.5°   | 65.5°   | 65.5°   | 65.5°   |
| <b>I</b> Fork Offset                | 44 mm   | 44 mm   | 44 mm   | 44 mm   |
| <b>J</b> Wheelbase                  | 1200 mm | 1220 mm | 1248 mm | 1268 mm |
| <b>K</b> Head Tube Length           | 100 mm  | 110 mm  | 130 mm  | 130 mm  |
| <b>L</b> Reach                      | 440 mm  | 460 mm  | 480 mm  | 500 mm  |
| <b>M</b> Stack                      | 622 mm  | 622 mm  | 640 mm  | 640 mm  |