

CHASER, BLACK, 2021

obj. č.: 010.21225



Doporučená cena

129.999 Kč

Technické specifikace

barva rámečku black	vyroběné velikosti S 380mm / M 420mm / L 450mm / XL 490mm
hmotnost 24,8 Kg	rám Chaser 6061 Alloy Stealth Evo, e-Bike Optimized Zero Suspension System, 150mm travel, Forward Geometry, internal removable battery, Boost 12x148mm rear axle, tapered head tube, one-piece Monoblock upper link, HHG internal cable routing, MAX capacity sealed bearings, oversize 17mm axles, integrated dropout speed sensor, exclusive plastic motor covers, shock mudguard
vidlice RockShox 35 Silver TK 29, 160mm, TurnKey, Solo Air, tapered steerer tube, Boost 15x110mm axle, 35mm steel stanchions, 44mm offset. Settings: compression adjustment at low-speed to lock, rebound, air preload	hlavové složení Onoff Saturn tapered for 1-1/8 to 1-1/2 head tube, ACB sealed bearings, top 41x30.2x7x45x45, bottom 51.9x40x8x45x45
přehazovačka Sram SX Eagle, Type 3 roller bearing clutch, cage lock, long cage, 1x12s, X-actuation 1:1	řazení Sram Trigger SX Eagle, 12s, X-Actuation 1:1, single click
brzdové páčky Sram G2 R, tool-free reach adjust	kliky Race Face Aeffect ebike, 165mm
řídítka Onoff Sulfur 1.0 double butted 6061 alloy, rise: 20mm, width: 780mm, 9 backsweep, 5 upsweep, 31.8mm barbore Onoff Twin, 1lock-on, 135mm	představec Onoff Sulfur FG 30mm 0, 6061 forged alloy, 31.8mm barbore

sedlovka

Onoff Pija dropper internal, diameter 31.6mm, S size:
387x125mm, M size: 425x150mm, L/XL size: 465x170mm

sedlo

Mondraker e-MTB custom design

náboj přední

Formula DC711, Boost 15x110mm, sealed bearings, IS 6 bolts

náboj zadní

Formula EHL148 Boost 12x148mm, sealed bearings, IS 6 bolts

řetěz

Sram SX Eagle, 12s, Powerlock

kazeta

Sram PG-1210, 11-50T, 12s

dráty

CN round stainless steel

ráfky

MDK-HP1 29, 30mm internal width, tubeless ready, 32 spokes

pláště

Maxxis Rekon 29x2.6, tubeless ready, dual compound, EXO protection, 60TPI, folding bead

obj.c.

010.21225

tlumič

RockShox Deluxe Select R Debonair, 205x65mm. Settings:
Low-speed rebound, air preload. Trunnion top mount,
25x10mm bottom bushings

přední brzda

Sram G2 R, 4-piston caliper, Centerline 200mm IS 6 bolts one-piece rotor, steel-backed organic pads

zadní brzda

Sram G2 R, 4-piston caliper, Centerline 200mm IS 6 bolts one-piece rotor, steel-backed organic pads

plášť zadní

Maxxis Rekon 29x2.6, tubeless ready, dual compound, EXO protection, 60TPI, folding bead

nastavení tlumiče

Light compression, Light rebound, 1 Token

převodník

Sram X-Sync 2 Eagle 34T, steel, narrow-wide, 104 BCD

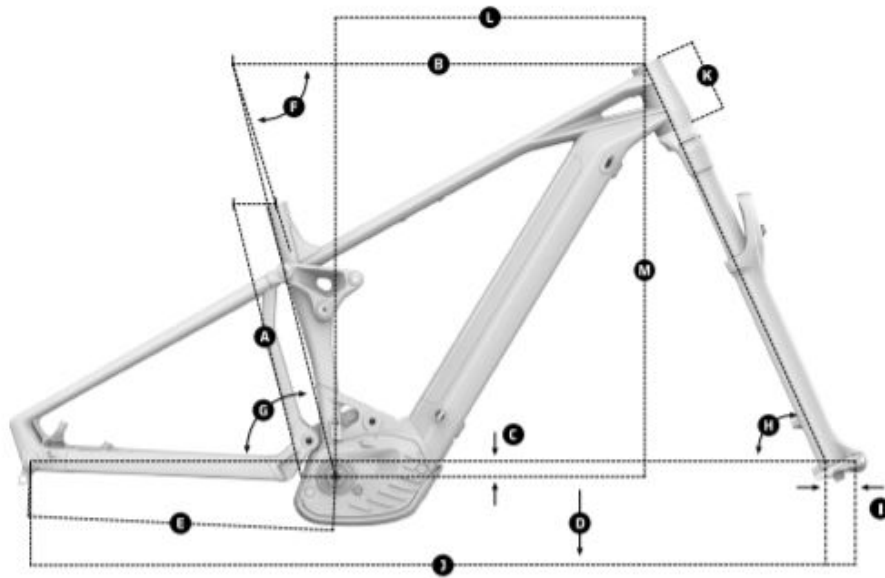
patka k přehazovačce

Mondraker M068

motor+baterie

Bosch Performance Line CX Cruise (25Km/h) GEN4, computer Bosch Purion, Bosch Powertube 625Wh

Geometrie



GEOMETRY

Size	S	M	L	XL
A Seat Tube Length	380 mm	420 mm	450 mm	490 mm
B Top Tube Length	605 mm	625 mm	650 mm	670 mm
C Bottom Bracket Drop	-25 mm	-25 mm	-25 mm	-25 mm
D Bottom Bracket Height	350 mm	350 mm	350 mm	350 mm
E Chainstay Length	455 mm	455 mm	455 mm	455 mm
F Seat Tube Angle, Actual	73.5°	73.5°	73.5°	73.5°
G Seat Tube Angle, Effective	76°	76°	76°	76°
H Head Tube Angle	65.5°	65.5°	65.5°	65.5°
I Fork Offset	44 mm	44 mm	44 mm	44 mm
J Wheelbase	1225 mm	1245 mm	1265 mm	1285 mm
K Head Tube Length	110 mm	110 mm	130 mm	130 mm
L Reach	450 mm	470 mm	490 mm	510 mm
M Stack	622 mm	622 mm	640 mm	640 mm